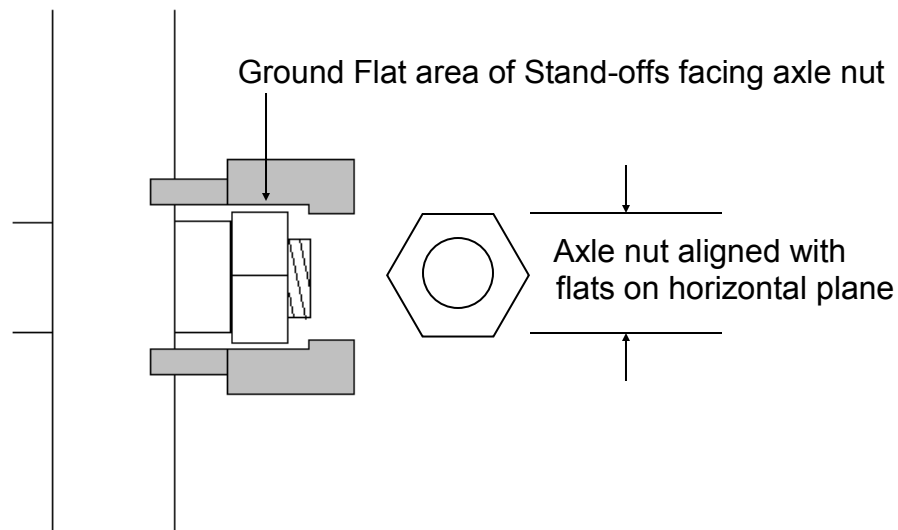
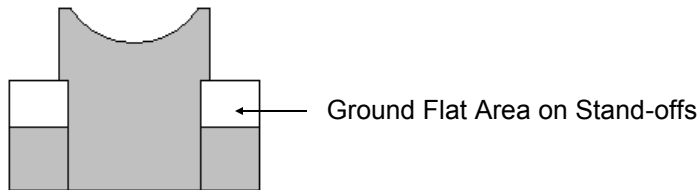


**Reduced Clearance Stand-offs for mounting SM2-2 / SM2-3 to Invacare Tracer IV Wheelchair**

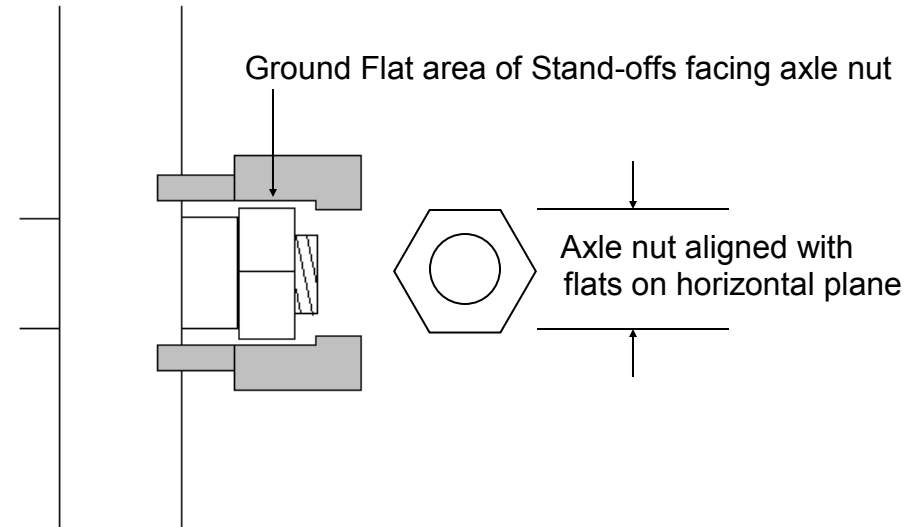
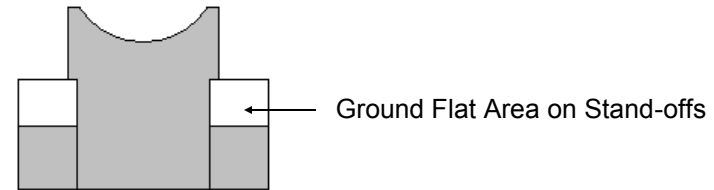
1. Align axle nut so flats are parallel on the horizontal plane.
2. Place stand-offs with ground flat area facing axle nut.
3. Proceed with installation per instructions



**In some cases it may be necessary to remove axle bolt, reverse and reinstall with bolt head at frame and nut at outside of wheel**

**Reduced Clearance Stand-offs for mounting SM2-2 / SM2-3 to Invacare Tracer IV Wheelchair**

1. Align axle nut so flats are parallel on the horizontal plane.
2. Place stand-offs with ground flat area facing axle nut.
3. Proceed with installation per instructions



**In some cases it may be necessary to remove axle bolt, reverse and reinstall with bolt head at frame and nut at outside of wheel**