

Alarmed Hook and Loop Seatbelt Installation Instructions

1. Remove the bottom seatback screws on both sides of the wheelchair. When installing belt, be sure that female side (A) has hook and loop facing away from the chair user and male side (B) has red pull-strap facing away from the chair user. (Figure 1)

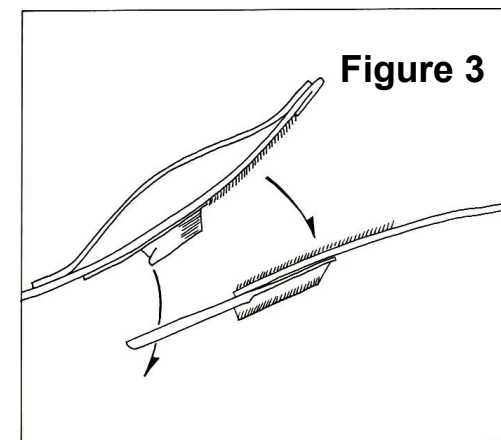
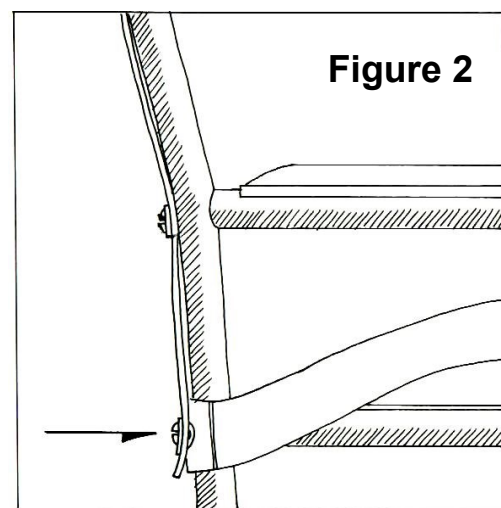
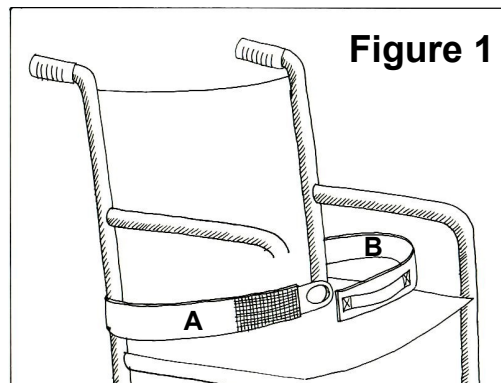
2. Slide the grommet end of each belt between the seatback and chair frame and reinstall the seatback screws. (Figure 2)
Note: Heavy duty plastic ties are provided for installing belt on chairs that do not have upholstery screws. **If seatbelt is transferred between chairs and new ties are required, use only heavy duty ties rated for 120 lbs. .**

3. Before adjusting the belt, observe the small tab on the male buckle. This tab should be inserted into the female side as shown before attaching the hook and loop. (Figure 3)
With both sides of the belt installed and the user seated, adjust the belt so that it is comfortable for the user. **The belt should not be overly tight whereby causing discomfort nor should it be loose enough to allow the user to slide down in the wheelchair.**

4. Plug the cord from the belt into the jack on the side of the alarm box. The strap on the alarm box can be slipped over the handle or attached anywhere on the frame. An upholstery clip that can be installed on the strap is also provided. Make sure the cord is routed so it does not become tangled in any moving parts.

5. Test the belt for proper operation. Firmly press the switch to the ON position (blue LED light remains lit). The alarm should sound as soon as the belt is separated.
The alarm box also features a fail-safe circuit. In the event that the cord is accidentally removed while the unit is on, the alarm will sound.

Seatbelt can be machine washed. Line dry only.
The excessive heat of a dryer will damage the belt.



CAUTION

This device is not a substitute for proper supervision.
Check fall risk patients frequently.
Change battery monthly.