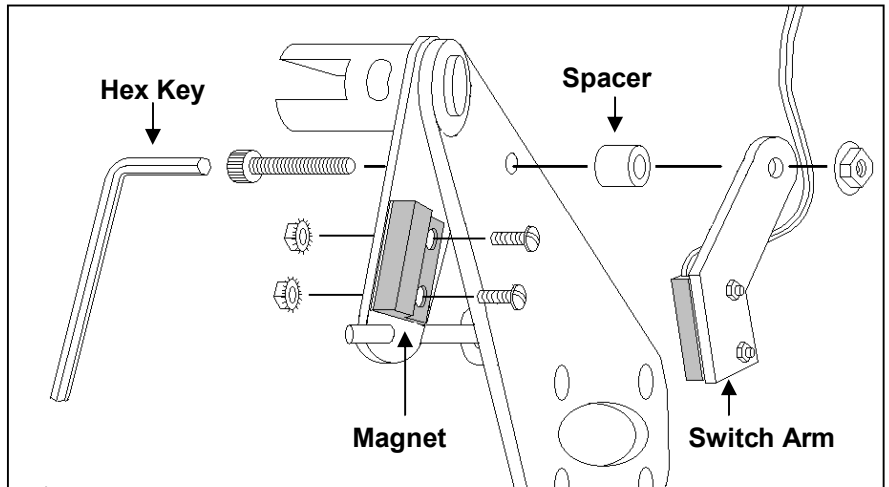


1. The alarm system is installed on the **Right Mounting Bracket** of the anti-rollback device as illustrated.

2. Mount Magnet

Using screws and nuts provided, install the magnet on the **outer side** of the right spring rod support at pre-drilled holes. (Mounting tab forward and magnet aligned with back edge of spring rod support as illustrated).



3. Install Switch Arm

Attach the pre-assembled Switch Arm through hole in mounting bracket as illustrated. Make sure switch wire is routed as shown. Install the screw, spacer and lock-nut as shown and snug using hex key provided but do not completely tighten.

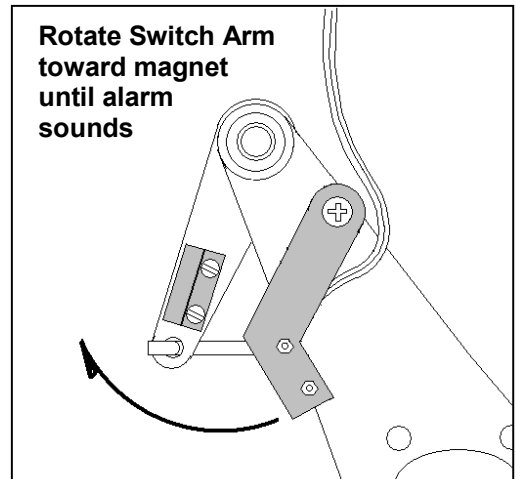
4. Mount Alarm Box and mate connector with switch wire

5. Adjust Switch Arm

Install 9 volt battery supplied into alarm box.
With the wheelchair unoccupied, switch on the alarm box.

The alarm is activated when the magnet and switch come within close proximity of each other.

Slowly rotate switch arm toward magnet, as illustrated, until alarm sounds.



Helpful Hint

Continuing rotation of switch arm *slightly* past the point where alarm sounds will help prevent false alarms caused by occupant shifting in seat.

Hold switch arm firmly in position with right hand and tighten lock-nut in this position using hex key provided.

6. Check for proper operation

Sitting in wheelchair seat should rotate magnet away from switch and silence alarm. Make fine adjustments as required. Sit and stand from wheelchair several times to verify consistent operation before returning chair to service.

Troubleshooting

Alarm does not silence when resident is seated. *With chair occupied*, loosen lock-nut, rotate switch arm downward until alarm silences and re-tighten lock-nut in this position.

Alarm does not sound when resident stands. *With chair un-occupied*, loosen lock-nut, rotate arm toward magnet until alarm sounds and re-tighten lock-nut in this position.

Replacement Parts

Part	Part No.
Switch Arm Assembly And Hardware	SM2-2ASA
Alarm Box	SMABX
Hex Key	SM2-2AHK

CAUTION

This device is not a substitute for proper supervision.
Check fall risk patients frequently. Change battery monthly.