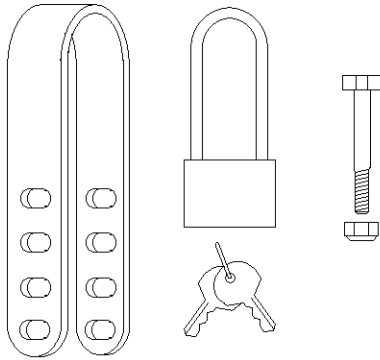
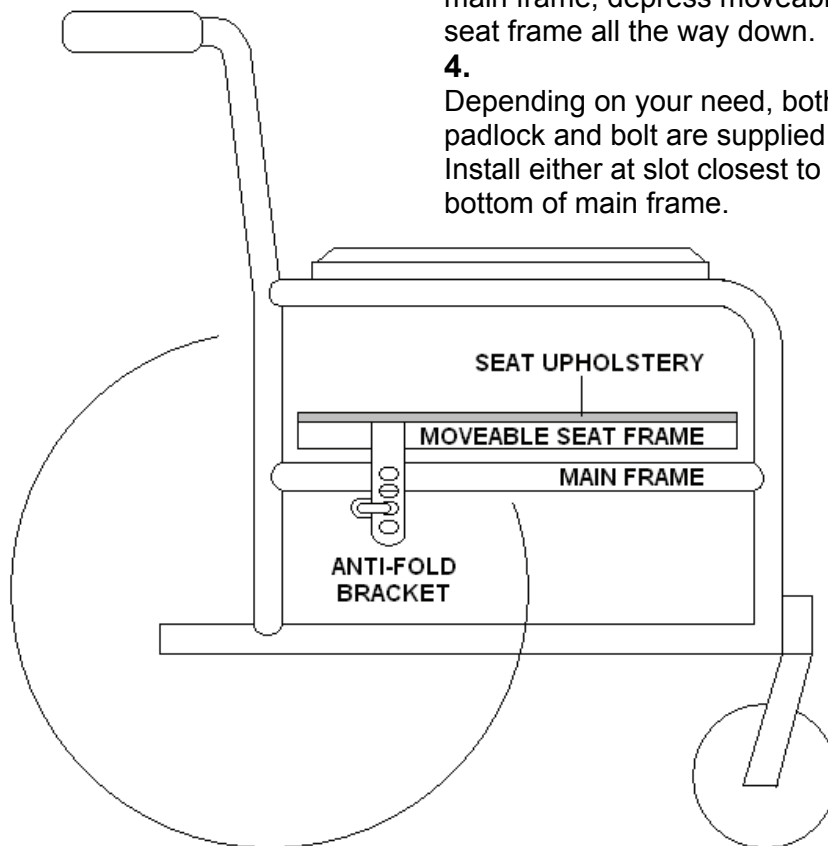


**Safe-mate**®

**MODEL SM-018**  
Wheelchair Anti-Fold Kit



- 1.** With chair partially folded, loosen two adjacent seat upholstery screws at back of seat enough to lift seat away from moveable seat frame .
- 2.** Slide Anti-Fold Bracket around moveable seat frame tubing. Re-tighten seat upholstery screws.
- 3.** While guiding bracket around main frame, depress moveable seat frame all the way down.
- 4.** Depending on your need, both a padlock and bolt are supplied. Install either at slot closest to bottom of main frame.



Manufactured by 210 Innovations, LLC Groton, CT 06340 800-210-2298