

Safe•t mate SM2-2 Adapter kit

Quickie Breezy 500, 600, Invacare Patriot

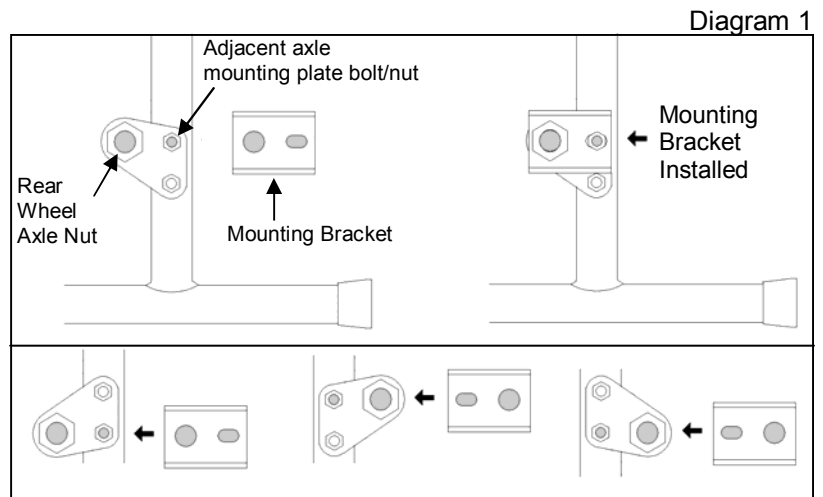
1.
Locate rear wheel axle mounting plates as illustrated in diagram 1. Right inside shown.

Working with one side of the chair at a time, remove axle nut and adjacent axle mounting plate nut located on the inside portion of the chair frame.

Install Mounting Bracket as shown based on axle configuration.

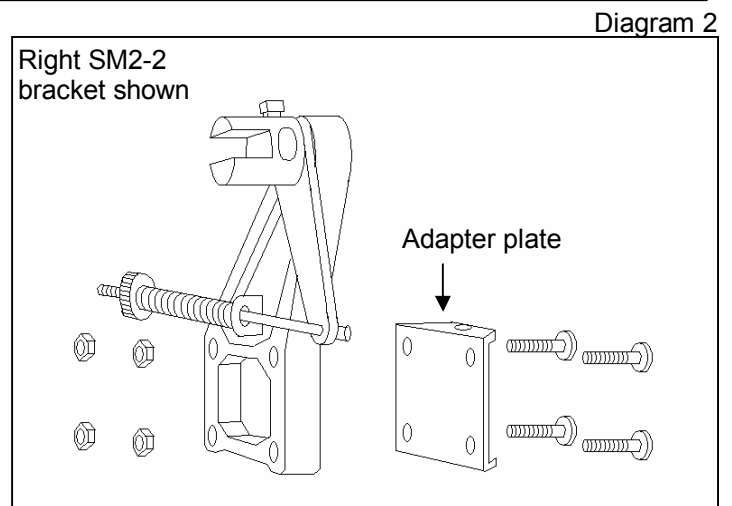
Reinstall both axle nut and mounting plate nut.

Repeat for other side of chair.



2.
Install adapter plate to both SM2-2 brackets using 10-24 screws and nuts as illustrated in Diagram 2.

Right Bracket shown.



3.
Attach SM2-2 brackets (with installed adapter plates) to mounting plates using 1/4-20 bolts and lock washers as illustrated in Diagram 3.

Snug but do not tighten bolts at this time.
Right side shown.

4.
Refer to SM2-2 Installation Instructions

Insert the following changes:

Step 1. U-bolts and stand-offs will not be used. Retain these parts for future installations.

Step 4. Tighten 1/4-20 adapter plate bolts when instructed to tighten mounting bracket nuts.

