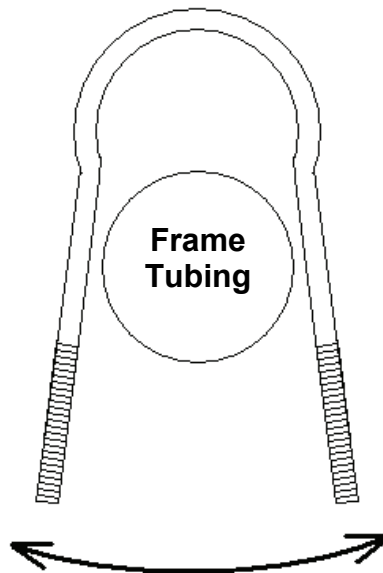
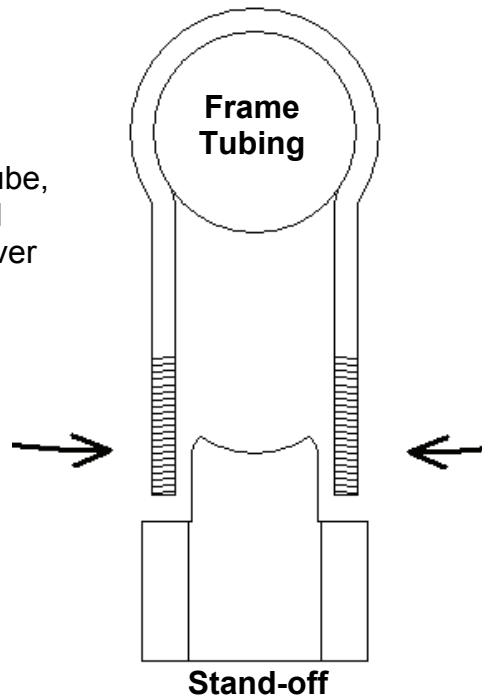


The U-Bolt legs will need to be spread by hand to fit over frame tubing as shown in this illustration.



After sliding the U-Bolts over tube, squeeze legs back to a parallel position and slide Stand-offs over them.

Continue with installation per SM2-2 Instructions.



210 Innovations, LLC
210 Leonard Drive
Groton, CT 06340
800.210.2298