

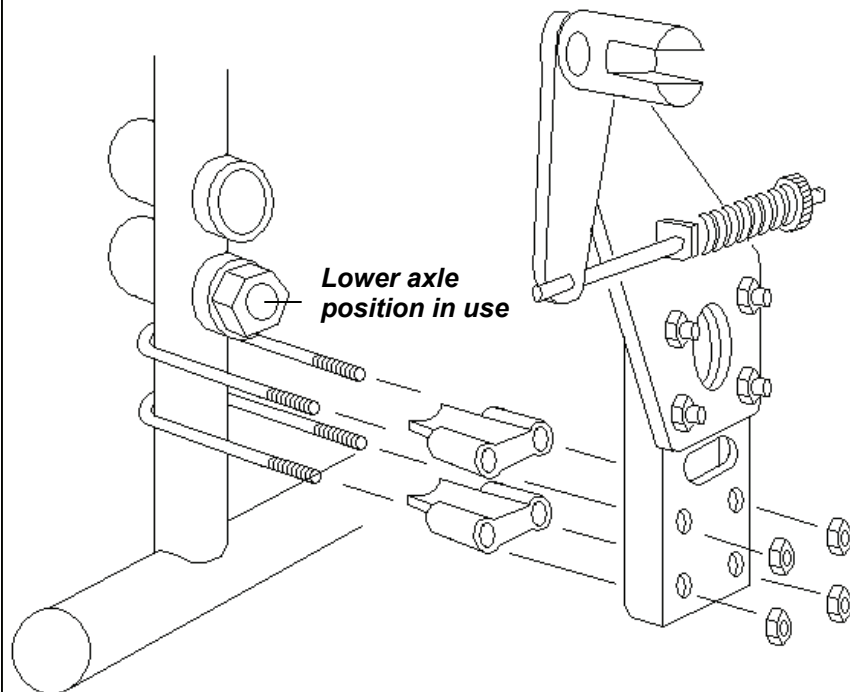
Safe·t mate[®]

SM2-2BAAK Adapter kit for mounting SM2-2 Wheelchair Anti-rollback Device

SM2-2BAAK is for wheelchairs on which the u-bolts cannot be installed directly at the axle in use but have sufficient room on the frame below the axle to use as an alternate mounting location.

Below both axle holes when lower axle position is in use

For application when U-bolts cannot be mounted around lower axle position but there is enough room on frame to mount below.



Around lower axle hole when upper axle position is in use

For application when U-bolts cannot be mounted around upper axle position but there is room to mount around empty lower axle hole

