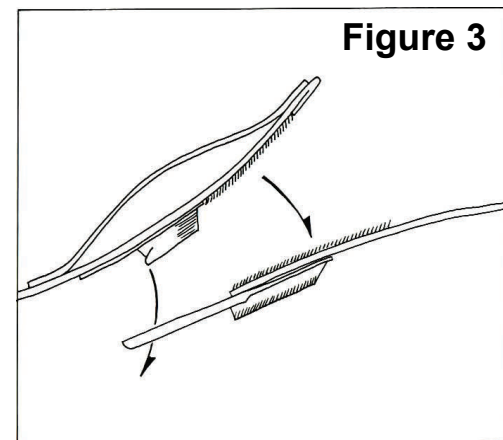
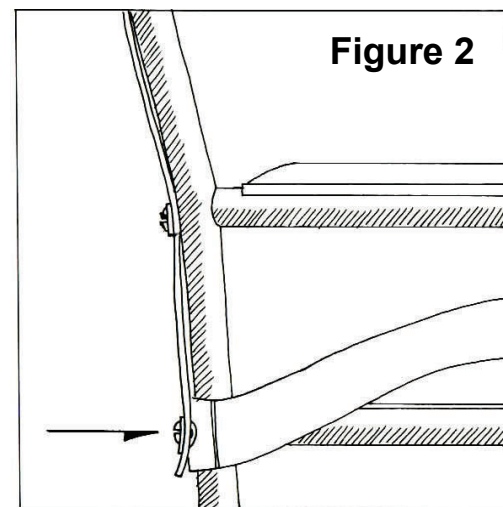
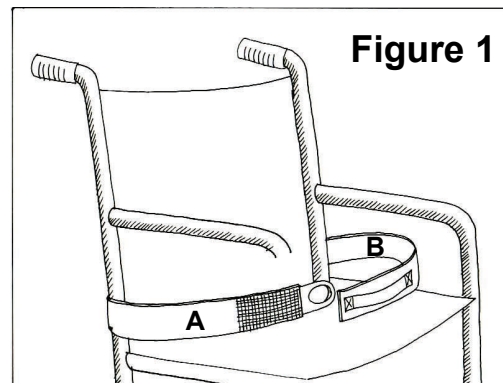


Alarmed Velcro® Seatbelt Installation Instructions

- 1.**
Remove the bottom seatback screws on both sides of the wheelchair. When installing belt, be sure that female side (A) has Velcro facing away from the chair user and male side (B) has red pull-strap facing away from the chair user. **(Figure 1)**
- 2.**
Slide the grommet end of each belt between the seatback and chair frame and reinstall the seatback screws. **(Figure 2)**
Note: Plastic ties are provided for installing belt on chairs that do not have upholstery screws. (slide on upholstery)
If ties are used, check frequently for wear.
- 3.**
Before adjusting the belt, observe the small tab on the male buckle. This tab should be inserted into the female side as shown before attaching the Velcro. **(Figure 3)**
It is not necessary for the belt to be tight. Instead, allow adequate room for the comfort of the user.
- 4.**
Plug the cord from the belt into the jack on the side of the alarm box. The strap on the alarm box can be slipped over the handle or attached anywhere on the frame. An upholstery clip that can be installed on the strap is also provided. Make sure the cord is routed so it does not become tangled in any moving parts.
- 5.**
Test the belt for proper operation. Firmly press the switch to the ON position (blue LED light remains lit). The alarm should sound as soon as the belt is separated.

The alarm box also features a fail-safe circuit. In the event that the cord is accidentally removed while the unit is on, the alarm will sound.

The seatbelt can be machined washed. Line dry only.
The excessive heat of a dryer will damage the belt.



CAUTION

This device is not a substitute for proper supervision.
Check fall risk patients frequently.
Change battery monthly.