

# Safe•t mate SM2-2 Adapter kit Invacare 9000XT Super Hemi Frame

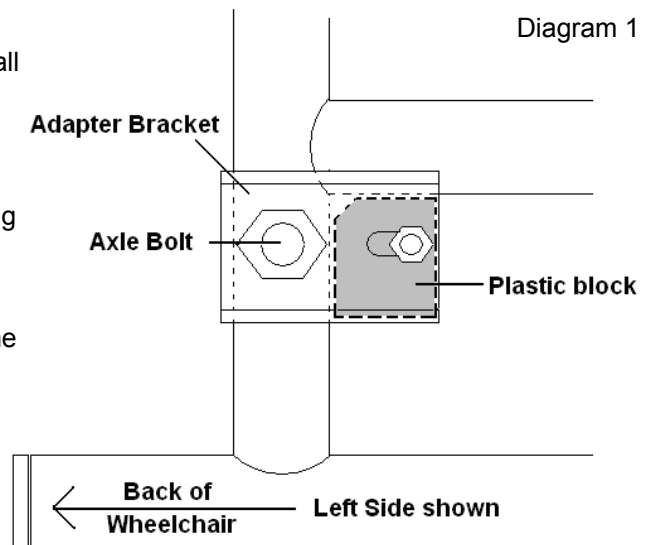
SM2-2XTAK

1.

Working with one side of the chair at a time, remove axle nut. Install Mounting Bracket as shown with the slot in the forward position. Replace axle nut and snug but do not tighten. Insert 1/4" X 1" bolt into plastic block and, from the frame side of the bracket, insert remaining portion of bolt through the slot in the mounting bracket as shown with chamfered corner of block pointing up and toward the location where the horizontal and vertical frame members of the wheelchair are welded together.

Install 1/4" nut. Hold block tight to both horizontal and vertical frame members and tighten 1/4" nut. Tighten axle nut and repeat steps for opposite side of wheelchair

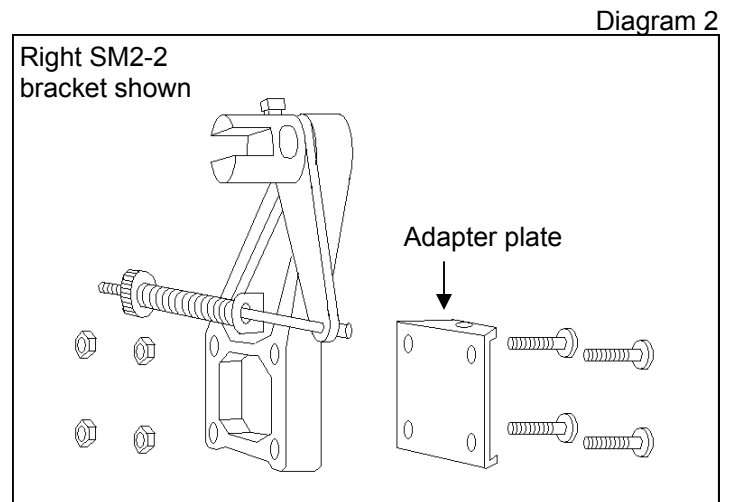
Installed correctly, the blocks will hold the mounting brackets in the proper orientation as shown.



2.

Install adapter plate to both SM2-2 brackets using 10-24 screws and nuts as illustrated in Diagram 2.

Right Bracket shown.



3.

Attach SM2-2 brackets (with installed adapter plates) to mounting brackets using 1/4-20 bolts and lock washers as illustrated in Diagram 3.

**Snug but do not tighten bolts at this time.**

Right side shown.

4.

Refer to SM2-2 Installation Instructions

### Insert the following changes:

Step 1. U-bolts and stand-offs will not be used. Retain these parts for future installations.

Step 4. Tighten 1/4-20 adapter plate bolts when instructed to tighten mounting bracket nuts.

