

Installation Instructions

MODEL SM-007

1. Remove sling seat from wheelchair

Most wheelchair seats are attached with 8 screws (4 on each side) and finish washers. Since the screws and washers will not be used to install this drop seat, make sure you retain them with the sling seat.

2. Position seat and straps

Locate the **BACK** sticker on the bottom of the seat. Position the seat with this sticker at the back of the wheelchair.

Loop the straps around the seat frame tubing as illustrated. Slide the straps through the strap retaining rings attached to the bottom of the seat and buckle the straps together.

3. Determine height and angle of seat

Place the cushion to be used in the seat and adjust the length of the straps to locate the seating surface at desired height.

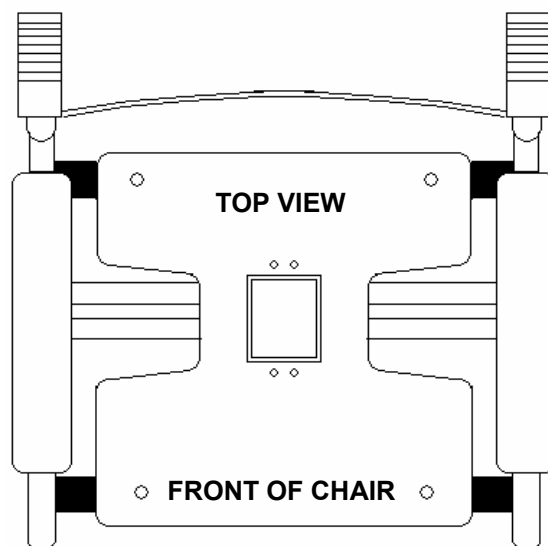
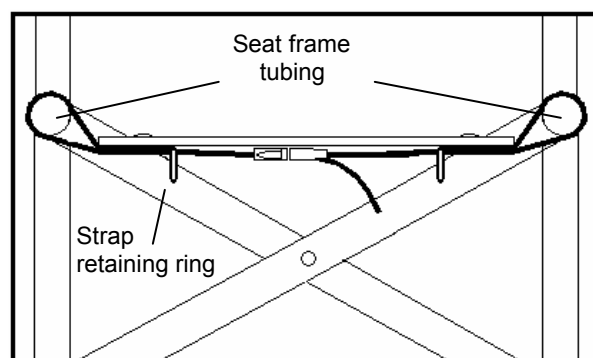
Note that the front and back seat straps can be adjusted to different lengths to achieve an angled seating surface.

4. Install Alarm Box

A 9 volt battery has been pre-installed in the alarm box.

Mate the connectors on the seat and alarm box cords. The alarm box clip allows it to be mounted on the seat back or anywhere on the frame. Route the cord away from moving parts.

Switch on the alarm box and the alarm should sound. The alarm should silence automatically each time the user is seated in the wheelchair.



CAUTION

This device is not a substitute for proper supervision.
Check fall risk patients frequently.
Change battery if sound level begins to diminish.

Note: Disconnect and Remove alarm box prior to wheelchair washing.

Manufactured by
210 Innovations, LLC
34 Taugwonk Spur
Stonington, CT 06378
Made in the U.S.A.
www.safetmate.com